

Service Manual



HANSON RIVET[®]
& SUPPLY CO.
Phone: 800-777-4838
www.hansonrivet.com

ProSet[®] PB340 structural rivet tool

Battery Power Tool

PB3400 (Ref. Section 2.4)

Figure 1

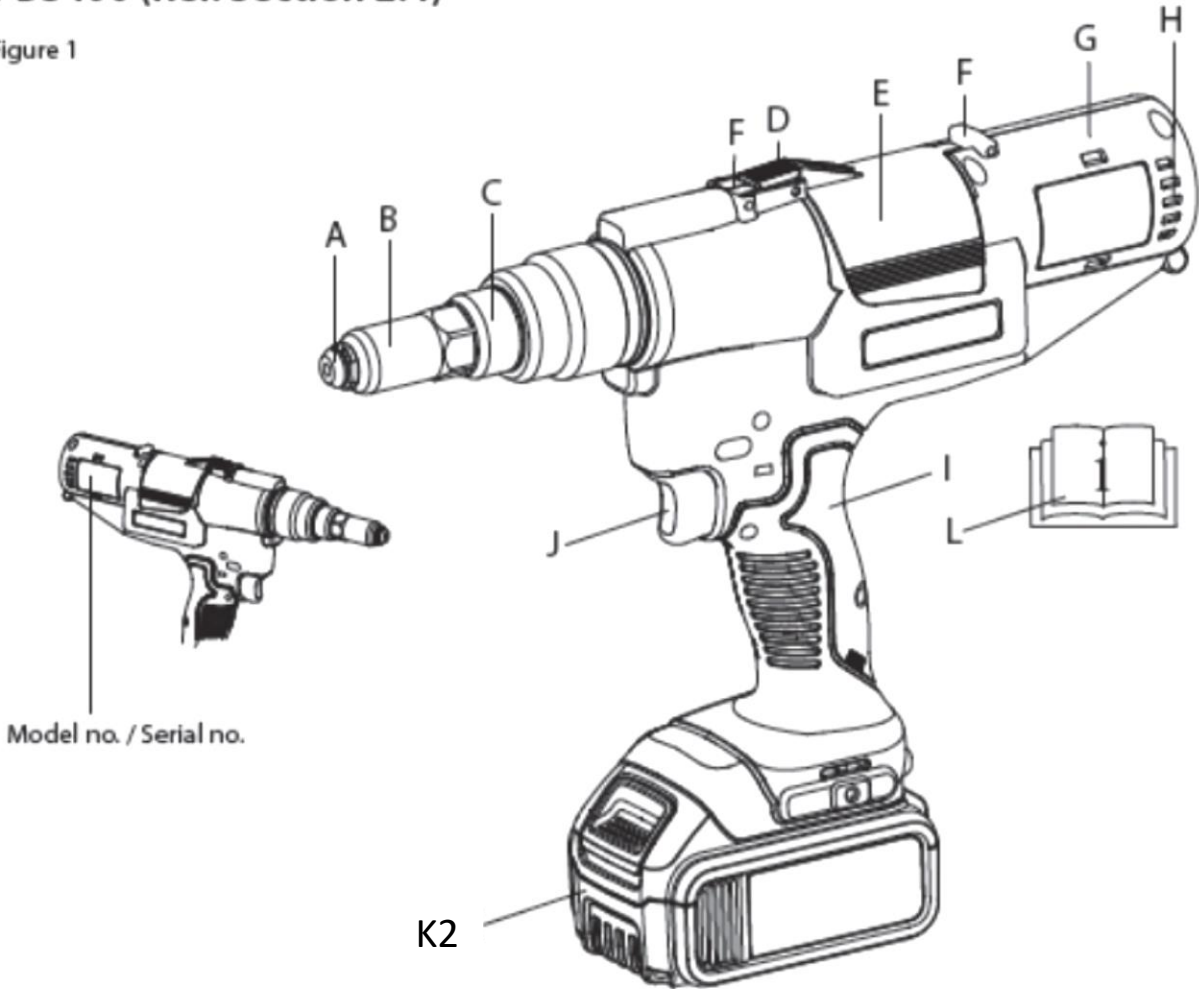


Figure 2

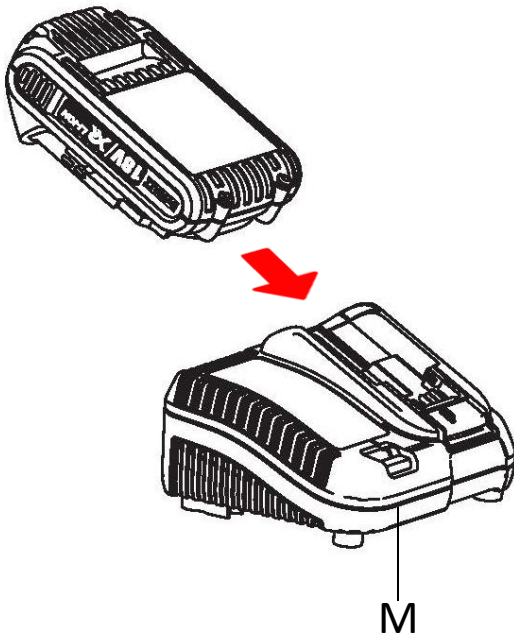
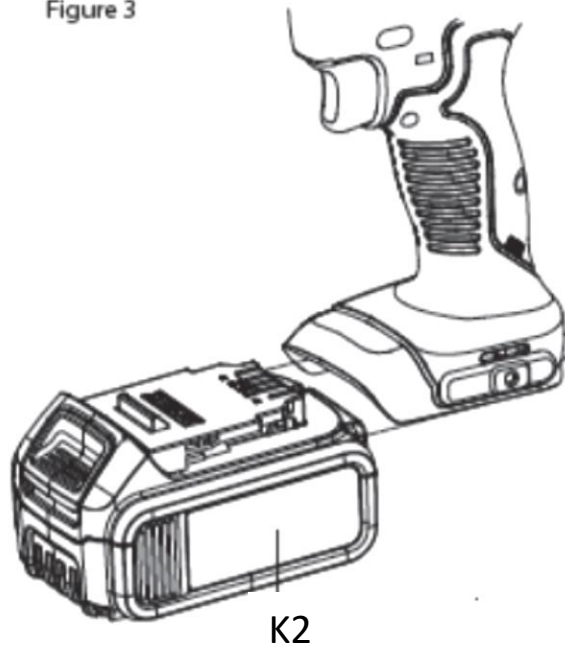


Figure 3



HANSON RIVET[®]
& SUPPLY CO.

Phone: 800-777-4838

www.hansonrivet.com

PB3400 (Ref. Section 2.4)

Figure 4

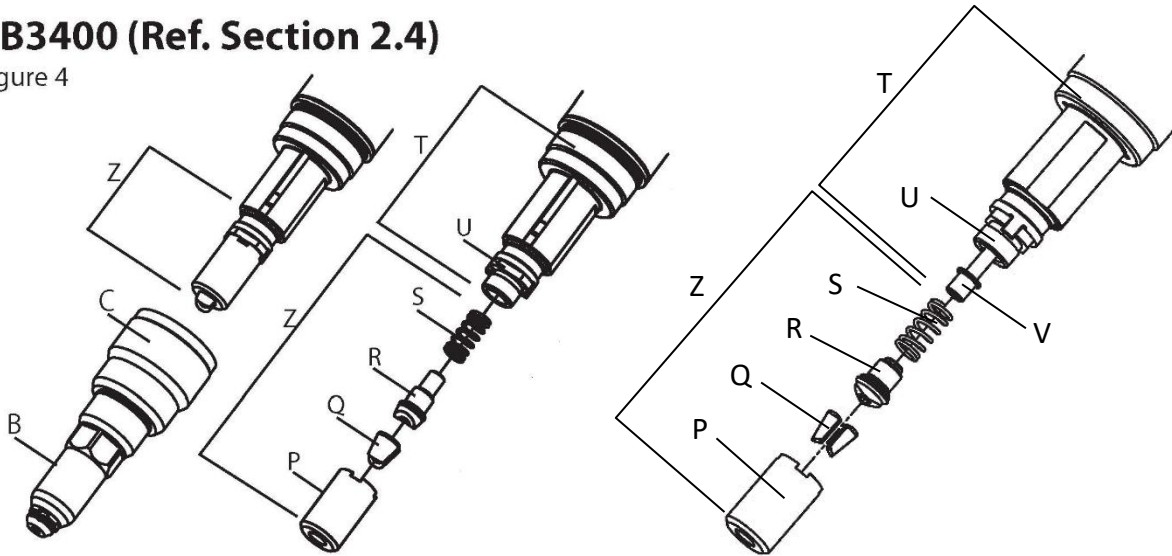


Figure 6a

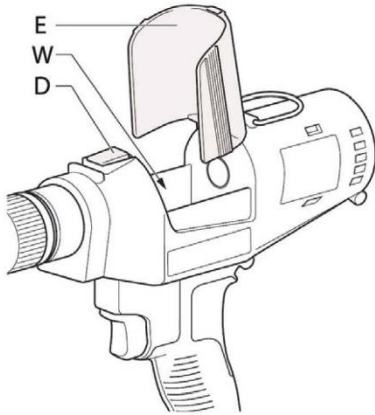


Figure 6b

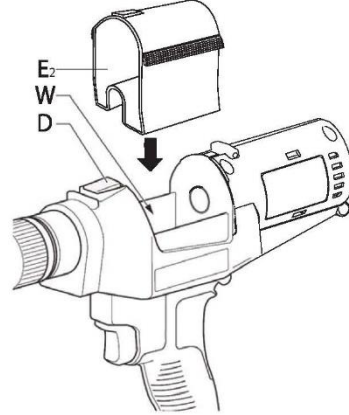


Figure 7

Style 1

Style 2

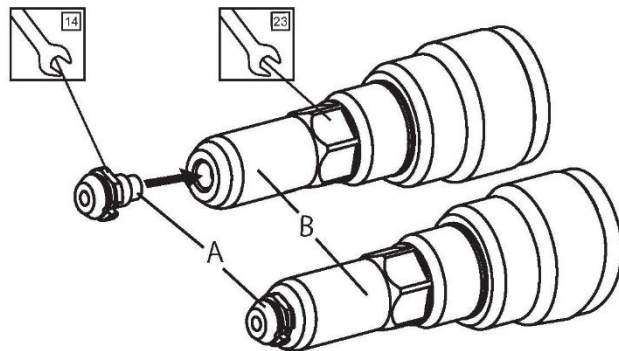
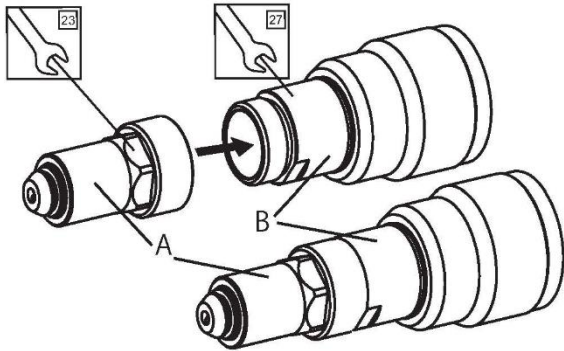
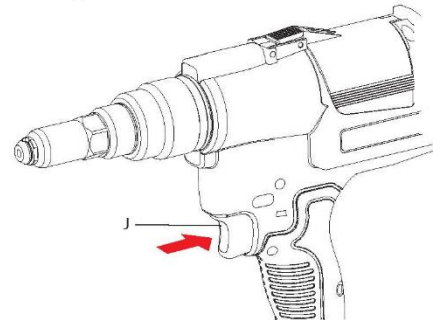
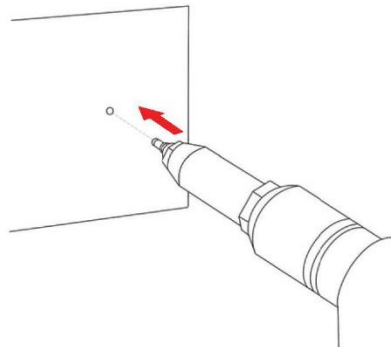
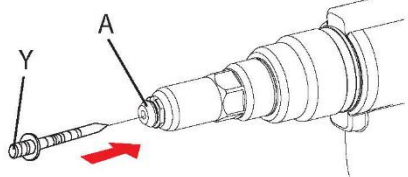


Figure 8

Figure 9

Figure 10



The information provided may not be reproduced and/or made public in any way and through any means (electronically or mechanically) without prior explicit and written permission from STANLEY Engineered Fastening. The information provided is based on the data known at the moment of the introduction of this product. STANLEY Engineered Fastening pursues a policy of continuous product improvement and therefore the products may be subject to change. The information provided is applicable to the product as delivered by STANLEY Engineered Fastening. Therefore, STANLEY Engineered Fastening cannot be held liable for any damage resulting from deviations from the original specifications of the product.

The information available has been composed with the utmost care. However, STANLEY Engineered Fastening will not accept any liability with respect to any faults in the information nor for the consequences thereof. STANLEY Engineered Fastening will not accept any liability for damage resulting from activities carried out by third parties. The working names, trade names, registered trademarks, etc. used by STANLEY Engineered Fastening should not be considered as being free, pursuant to the legislation with respect to the protection of trade marks.

CONTENT

1. Safety Definitions	4
1.1. GENERAL SAFETY	4
1.2. POWER TOOL USE AND CARE	4
1.3. IMPORTANT SAFETY INSTRUCTIONS FOR ALL BATTERY CHARGERS	5
1.4. IMPORTANT SAFETY INSTRUCTIONS FOR ALL BATTERY PACKS	6
1.5. SPECIFIC SAFETY INSTRUCTIONS FOR LITHIUM-ION (LI-ION)	7
1.6. RESIDUAL RISKS	7
1.7. LABELS AND ICONS	7
2. SPECIFICATIONS	8
2.1. TECHNICAL DATA	8
2.2. PLACING SPECIFICATIONS	10
2.3. PACKAGE CONTENTS	10
2.4. MAIN COMPONENTS LIST	11
2.5. OPTIONAL ACCESSORIES	11
3. Tool Use & Set up	12
4. Operating Instructions	12
4.1. NOSE EQUIPMENT	12
4.2. CHARGERS	13
4.3. BATTERY PACKS	14
5. Operating Procedure	14
5.1. Proper Hand Position	15
5.2. Tool Operation	15
6. Servicing the tool	16
6.1. Maintenance frequency	16
6.2. Cleaning	16
6.3. Spare Parts – Tools	17
6.4. Rechargeable Battery Pack	17
6.5. Protecting the Environment	17
7. Jaws, Jaw Guide, Jaw Pusher and Jaw Pusher Spring	18
8. SA Nose Housing and SA Nose Piece	23
9. Operation Test and Appearance check	26
10. Accessories	27
11. Exploded View	29
12. BOM	31
13. Troubleshooting Guide	37

1. Safety Definitions

The definitions below describe the level of severity for each signal word. Please read the manual and pay attention to these symbols.

serious injury.



CAUTION: Indicates a potentially hazardous situation which, if not avoided, *may* result in *minor or moderate injury*.



WARNING: Indicates a potentially hazardous situation which, if not avoided, *could* result in *death or serious injury*.

NOTICE: Indicates a practice *not related to personal injury* which, if not avoided, *may* result in *property damage*.



Denotes risk of electric shock



Denotes risk of fire

Improper operation or maintenance of this product could result in serious injury and property damage. Read and understand all warnings and operating instructions before using this equipment. When using power tools, basic safety precautions must always be followed to reduce the risk of personal injury.

1.1. GENERAL SAFETY



WARNING! *Read all safety warnings and all instructions.* Failure to follow the warnings and instructions may result in electric shock, fire and/or serious injury.

SAVE ALL WARNINGS AND INSTRUCTIONS FOR FUTURE REFERENCE

The term “power tool” in the warnings refers to your mains-operated (corded) power tool or battery-operated (cordless) power tool.

- *Do not use outside the design intent of Placing STANLEY Engineered Fastening Blind Fasteners.*
- *Use only parts, fasteners, and accessories recommended by the manufacturer.*
- *Use Power Tool only with specifically designated battery packs.*

1.2. POWER TOOL USE AND CARE

- *The tool must be maintained in a safe working condition at all times and examined at regular intervals for damage and function by trained personnel. Any dismantling procedure will be undertaken only by trained personnel. Do not dismantle this tool without prior reference to the maintenance instructions.*
- *Do not modify the tool in any way. Any modification to the tool is undertaken by the customer and will be the customer’s entire responsibility and void any applicable warranties*

- *Disconnect the battery from the tool before performing any maintenance, attempting to adjust, fit or remove a nose assembly.*
- *Prior to use, check for misalignment or binding of moving parts, breakage of parts, and any other condition that affects the tool's operation. If damaged, have the tool serviced before using. Remove any adjusting key or wrench before use.*
- *Prior to use, inspect battery for damage. Do not drop battery. A sharp impact may cause internal damage and lead to premature battery failure.*
- *Keep work area clean and well lit.*
- *Dress properly. Do not wear loose clothing or jewelry. Keep your hair, clothing and gloves away from moving parts. Loose clothes, jewelry or long hair can be caught in moving parts.*
- *Adopt a firm footing or a stable position before operating the tool.*
- *Operators and others in work area must wear ANSI Z87.1 CAN/CSA Z94.3 approved safety glasses with side shields. Always wear safety glasses and ear protection during operation.*
- *Adequate clearance is required for the tool operator's hands before proceeding.*
- *Do not operate a tool that is directed towards any person(s).*
- *DO NOT operate tool with the nose housing removed.*
- *Do not operate the tool or the charger in an explosive atmosphere or environment allowing exposure to combustible fluids or gasses.*
- *Do not operate the tool or the charger in an environment allowing exposure to moisture or rain to avoid risk of electric shock.*
- *Do not abuse the tool by dropping or using it as a hammer.*
- *Keep dirt and foreign matter out of the air vents of the tool as this will cause the tool to malfunction.*
- *Keep tool handles dry, clean, and free from oil and grease.*
- *When carrying the tool from place to place keep hands away from the trigger to avoid inadvertent activation.*
- *Never leave operating tool unattended.*
- *Disconnect battery when tool is not in use.*

1.3. IMPORTANT SAFETY INSTRUCTIONS FOR ALL BATTERY CHARGERS

SAVE THESE INSTRUCTIONS: *This manual contains important safety and operating instructions for compatible battery chargers (refer to Technical Data).*

- *Before using charger, read all instructions and cautionary markings on charger, battery pack, and product using battery pack.*



WARNING: *Shock hazard. Do not allow any liquid to get inside charger. Electric shock may result.*



WARNING: *We recommend the use of a residual current device with a residual current rating of 30mA or less.*



CAUTION: *Burn hazard. To reduce the risk of injury, charge only DEWALT/POP-Avdel rechargeable batteries. Other types of batteries may burst causing personal injury and damage.*



CAUTION: *Children should be supervised to ensure that they do not play with the appliance.*

NOTICE: *Under certain conditions, with the charger plugged into the power supply, the exposed charging contacts inside the charger can be shorted by foreign material. Foreign materials of a conductive nature such as, but not limited to, steel wool, aluminium foil or any build-up of metallic particles should be kept away from charger cavities. Always unplug the charger from the power supply when there is no battery pack in the cavity. Unplug charger before attempting to clean*

- *DO NOT attempt to charge the battery pack with any chargers other than the ones in this manual. The charger and battery pack are specifically designed to work together.*
- *These chargers are not intended for any uses other than charging DEWALT/POP-Avdel rechargeable batteries. Any other uses may result in risk of fire, electric shock or electrocution.*
- *Do not expose charger to rain or snow.*
- *Pull by plug rather than cord when disconnecting charger. This will reduce risk of damage to electric plug and cord.*
- *Make sure that cord is located so that it will not be stepped on, tripped over, or otherwise subjected to damage or stress.*
- *Do not use an extension cord unless it is absolutely necessary. Use of improper extension cord could result in risk of fire, electric shock, or electrocution.*
- *Do not place any object on top of charger or place the charger on a soft surface that might block the ventilation slots and result in excessive internal heat. Place the charger in a position away from any heat source. The charger is ventilated through slots in the top and the bottom of the housing.*
- *Do not operate charger with damaged cord or plug—have them replaced immediately.*
- *Do not operate charger if it has received a sharp blow, been dropped, or otherwise damaged in any way. Take it to an authorised service centre.*
- *Do not disassemble charger; take it to an authorised service centre when service or repair is required. Incorrect reassembly may result in a risk of electric shock, electrocution or fire.*
- *Disconnect the charger from the outlet before attempting any cleaning. This will reduce the risk of electric shock. Removing the battery pack will not reduce this risk.*
- *NEVER attempt to connect two chargers together.*
- *The charger is designed to operate on standard household electrical power (refer to charger specifications). Do not attempt to use it on any other voltage. This does not apply to the vehicular charger.*

1.4. IMPORTANT SAFETY INSTRUCTIONS FOR ALL BATTERY PACKS

When ordering replacement battery packs, be sure to include catalog number and voltage.

The battery pack is not fully charged out of the carton. Before using the battery pack and charger, read the safety instructions below. Then follow charging procedures outlined.

READ ALL INSTRUCTIONS

- *Do not charge or use battery in explosive atmospheres, such as in the presence of flammable liquids, gases or dust. Inserting or removing the battery from the charger may ignite the dust or fumes.*
- *Never force battery pack into charger. Do not modify battery pack in any way to fit into a non-compatible charger as battery pack may rupture causing serious personal injury.*
- *Charge the battery packs only in DEWALT/POP-Avdel chargers.*
- *DO NOT splash or immerse in water or other liquids.*
- *Do not store or use the tool and battery pack in locations where the temperature may reach or exceed 40 °C (104 °F) (such as outside sheds or metal buildings in summer).*
- *When battery pack is not in use, keep it away from other metal objects like paper clips, coins, keys, nails, screws or other small metal objects that can make a connection from one terminal to another.*
- *Do not discard batteries into water.*



WARNING: *Never attempt to open the battery pack for any reason. If battery pack case is cracked or damaged, do not insert into charger. Do not crush, drop or damage battery pack. Do not use a battery pack or charger that has received a sharp blow, been dropped, run over or damaged in any way (i.e., pierced with a nail, hit with a hammer, stepped on). Electric shock or electrocution may result. Damaged battery packs should be returned to service centre for recycling.*



WARNING: Fire hazard. Do not store or carry the battery pack so that metal objects can contact exposed battery terminals. When transporting individual battery packs, make sure that the battery terminals are protected and well insulated from materials that could contact them and cause a short circuit.



CAUTION: When not in use, place tool on its side on a stable surface where it will not cause a tripping or falling hazard. Some tools with large battery packs will stand upright on the battery pack but may be easily knocked over.

1.5. SPECIFIC SAFETY INSTRUCTIONS FOR LITHIUM-ION (LI-ION)

1. **Do not incinerate the battery pack even if it is severely damaged or is completely worn out.** The battery pack can explode in a fire. Toxic fumes and materials are created when lithium-ion battery packs are burned.
2. **If battery contents come into contact with the skin, immediately wash area with mild soap and water.** If battery liquid gets into the eye, rinse water over the open eye for 15 minutes or until irritation ceases. If medical attention is needed, the battery electrolyte is composed of a mixture of liquid organic carbonates and lithium salts.
3. **Contents of opened battery cells may cause respiratory irritation.** Provide fresh air. If symptoms persists, seek medical attention.



WARNING: Burn hazard. Battery liquid may be flammable if exposed to spark or flame.

1.6. RESIDUAL RISKS

In spite of the application of the relevant safety regulations and the implementation of safety devices, certain residual risks cannot be avoided. These are:

- Impairment of hearing
- Risk of personal injury due flying particles
- Risk of burns due to accessories becoming hot during operation.
- Risk of personal injury due to prolonged use.

1.7. LABELS AND ICONS

Markings on Tool

DATE CODE POSITION: The Date Code, which includes the year, month and location of manufacture, is printed into the housing surface that forms the mounting joint between tool and battery.

Labels on charger and battery pack

In addition to the pictographs used in this manual, the labels on the charger and the battery pack show the following pictographs.



Read instruction manual before use.



Charge only between 4 °C and 40 °C.



Read instruction manual before use.



Discard the battery pack with due care for the environment.










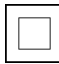

Battery charging.



Do not incinerate the battery pack.



HANSON RIVET®
& SUPPLY CO.
 Phone: 800-777-4838
www.hansonrivet.com

-  Battery charged.
-  Hot/cold pack delay.
-  Do not charge damaged battery packs.
-  Do not expose to water.
-  Have defective cords replaced immediately.
-  Risk of electric shock.
-  Only for indoor use.
-  Your DeWALT charger is double insulated in accordance with EN60335; therefore no earth wire is required.
-  Charge DeWALT/POP-Avdel battery packs only with designated DeWALT/POP-Avdel chargers. Charging battery packs other than the designated DeWALT/POP-Avdel batteries with a DeWALT/POP-Avdel charger may make them burst or lead to other dangerous situations.

**STANLEY Engineered Fastening policy
is one of continuous product development and improvement
and we reserve the right to change the specification
of any product without prior notice.**

2. SPECIFICATIONS

2.1. TECHNICAL DATA

2.1.1.

		ProSet® PB3400
Voltage	V	18 nom / 20 max
Type		2
Battery Type		Li-ion
Weight (without battery pack)	kg	1.77
Lpa (sound pressure)	dB(A)	77
Kpa (sound pressure uncertainty)	dB(A)	4
Lwa (sound power)	dB(A)	88
Kwa (sound power uncertainty)	dB(A)	4
Vibration emission value ah		
ah =	m/s ²	< 2.5
Uncertainty K =	m/s ²	1.5

2.1.2.

Model		PB3400 2.0Ah	PB3400 4.0Ah
Weight	kg [lbs]	2.1 [4.63]	2.4 [5.29]
Length	mm [in]	336 [13.2]	336 [13.2]
Height	mm [in]	255 [10.0]	255 [10.0]
Stroke	mm [in]	30 [1.181]	30 [1.181]
Pulling Force	N [lbf]	18,000 [4047]	
Rivet Range	nom. dia. mm [in]	Ø 4,8 [3/16"] thru Ø 6.4 [1/4"]	

2.1.3.

Battery Pack*				
Battery type		Li-ion		
Voltage	V _{DC}	18 nom /20 max		
Capacity	Ah	2.0/3.0/4.0		
Weight	Kg	0.40/0.64/0.61		
Charging duration	min	30/45/60		
Charger*		NA/JP	JP	QW/GB/XE
Battery type		Li-ion	Li-ion	Li-ion
Battery type Mains voltage	V _{AC}	120	100	230
Input frequency	Hz	60	50/60	50
Weight	kg	0.50	0.50	0.50

Fuses		
Europe	230 V tools	10 Amperes. mains
U.K. & Ireland	230 V tools	3 Amperes. in plugs

* PB Series tools are compatible with DEWALT/POP-Avdel 18V nom/20V max Li-Ion slide type batteries

** Charging duration is based on the DCB115 DEWALT Charging units

2.1.4.

Nom. Rivet Dia. Mm [in]	Battery 2.0Ah	Battery 4.0Ah
Ø 4,8 [3/16]	1,000	2,000
Ø 6,4 [1/4]	500	1,000

Note: These values are listed as a guide only and are estimates based on a fully charged battery. Results may vary depending on rivet material, tool/battery condition and work environment.

2.2. PLACING SPECIFICATIONS

Rivet Type	4.8mm [3/16"]	6.0 mm	6.4mm [1/4"]	8.0/9.0 mm
OPEN END	•		•	
CLOSED END	•		•	
AVEX®/STAVEX®	•		•	
AVINOX®/AVIBULB®	•	•	•	
HR/HT	•		•	
INTERLOCK®			•	
Hemlok®				
KLAMP-TITE®/KTR	•		•	
BULBEX®/LS/TL	•			
MONOBOLT®	•		•	
MULTI-GRIP®	•			
PULL-THRU (PT)				
Q RIVET	•		•	
T LOK®	•			
T-RIVET	•			
AVSEAL® II			•	•

Note: For details on the nose equipment please refer to the accessories manual.

2.3. PACKAGE CONTENTS

This package contains:

- 1 Cordless Installation Tool**
- 1 Charger
- 1 or more Lithium Ion battery pack(s)*
- 1 set or more Nose Equipment Accessories*
- 1 Kit Box
- 1 Instruction Manual

* The quantity and type of Li-Ion Battery Packs or Nose Equipment depends on Model Number and region sold. Contact your local reseller for details and options

** If the Model Number purchased is a bare tool then only the Cordless Installation Tool will be supplied with a standard set of 6.4mm [1/4"] Open End Nose Equipment installed.

2.4. MAIN COMPONENTS LIST

(for complete tool explosion and Bill of Material please see service manual)

A	Nose pieces	M	Charger lamp
B	Nose housing	N	Charger
C	Nose housing nut	O	Battery charger connection
D	Collector lock	P	Jaw guide
E	Collector shutter	Q	Jaws
E2	Quick release collector	R	Jaw pusher
F	Shutter guide sleeve	S	Spring
G	Motor housing	T	Pulling head
H	Exhaust vent	U	Front clutch
I	Handle	V	Mandrel Guide
J	Switch	W	Collector space
K	Battery pack 2.0 Ah	Y	Rivet
K2	Battery pack 4.0 Ah	Z	Jaw pusher assembly
L	Manual		

2.5. OPTIONAL ACCESSORIES



WARNING: Since accessories, other than those offered by POP-Avdel® have not been tested with this product, use of such accessories with this tool could be hazardous. To reduce the risk of injury, only POP- Avdel® recommended accessories should be used with this product.

Consult your dealer for further information on the appropriate accessories.



WARNING: To reduce the risk of serious personal injury, disconnect battery pack before making any adjustments or removing/installing attachments or accessories.

For a complete list of nose equipment and other accessories available for the PB Series, please visit our website

<http://www.stanleyengineeredfastening.com/resource-center/document-library>

3. Tool Use & Set up

The PB Series of tools are designed for installation of STANLEY Engineered Fastening Blind Fasteners.

DO NOT use under wet conditions or in presence of flammable liquids or gases.



READ ALL SAFETY WARNINGS AND INSTRUCTIONS BEFORE PUTTING TOOL INTO SERVICE.

Electrical Safety

The electric motor has been designed for one voltage only. Always check that the battery pack voltage corresponds to the voltage on the rating plate. Also make sure that the voltage of your charger corresponds to that of your mains.



Your DeWalt/POP-Avdel charger is double insulated in accordance with EN60335; therefore no earth wire is required.

Using an Extension Cable

An extension cord should not be used unless absolutely necessary. Use an approved extension cable suitable for the power input of your charger (see Technical Data). The minimum conductor size is 1 mm²; the maximum length is 30 m.

When using a cable reel, always unwind the cable completely.

Before Use

- Select relevant size nose equipment and install
- Ensure that the battery is fully charged
- Insert Battery Pack into the tool
- Quickly pull and release the trigger to set the tool to the home position.

4. Operating Instructions



ALWAYS wear approved hearing and eye protection at all times when using installation equipment



WARNING: Before adjusting tool, always remove the battery pack.

4.1. NOSE EQUIPMENT

Mounting the nosepiece (fig. 7).

- Select the correct nosepiece for the rivet to be installed. Ref. Nose Piece chart.
- Tighten the nosepiece (A) into the nose housing (B) by turning it clockwise using 23mm and 27mm or 14mm and 23mm spanner.

Mounting the jaw pusher and tail guide

- Select the correct jaw pusher or jaw pusher assembly (R) and Mandrel Guide (V) that matches the Nose Piece selected. Ref. the Accessories Manual for appropriate nose equipment

- *NOTE: The Tail Guide that comes installed on the tool as purchased matches the installed Nose Piece. Ref. Nose Piece chart (page 12) for the actual Tail Guide part number.*
- Insert mandrel guide (V) into pulling head (T)
- Insert jaw pusher (R) into jaw pusher spring (S)
- Reassemble jaw set (Q) and jaw guide (P) onto Pulling head (T)
- *Note: Do NOT use spanners to mount jaw guide (P) onto front clutch (U). Manual tightening of Jaw guide (P) is enough to lock onto front clutch (U)*

4.2. CHARGERS

Your tool uses a DEWALT/POP-AVDEL charger. Be sure to read all safety instructions before using your charger. The charger requires no adjustment and is designed to be as easy as possible to operate.







Charging Procedure (fig. 2)

- Plug the charger into an appropriate outlet before inserting the battery pack. (Refer to the Charger Specifications in Section 2)
- Insert the battery pack (K) into the charger, making sure the pack is fully seated in the charger. The red (charging) light will blink continuously indicating that the charging-process has started.
- The completion of charge will be indicated by the red light remaining ON continuously. The pack is fully charged and may be used at this time or left in the charger.

NOTE: *To ensure maximum performance and life of Li-Ion battery packs, charge the battery pack fully before first use.*

Charging Process

Refer to the table below for the state of charge of the battery pack.

Charge indicators			
	charging	-----	
	fully charged	—————	
	hot/cold pack delay*	----- —————	

*The red light will continue to blink, but a yellow indicator light will be illuminated during operation. Once the battery has reached an appropriate temperature, the yellow light will turn off and the charger will resume the charging procedure.

This charger will not charge a faulty battery pack. The charger will indicate faulty battery by refusing to light.

NOTE: *This could also mean a problem with a charger.*

If the charger indicates a problem, take the charger and battery pack to be tested at an authorised service centre.

Hot/Cold Pack Delay

When the charger detects a battery that is too hot or too cold, it automatically starts a hot/cold pack delay, suspending charging until the battery has reached an appropriate temperature. The charger then automatically switches to the pack charging mode. This feature ensures maximum battery life.

A cold battery pack will charge at about half the rate of a warm battery pack. The battery pack will charge at that slower rate throughout the entire charging cycle and will not return to maximum charge rate even if the battery warms.

Lithium-Ion Battery Packs only

STANLEY Engineered Fastening PB Series Li-Ion tools are designed with an Electronic Protection System that will protect the battery against overloading, overheating or deep discharge.

The tool will automatically turn off if the Electronic Protection System engages. If this occurs, place the Li-Ion battery on the charger until it is fully charged.

4.3. BATTERY PACKS

Your tool is designed to work specifically with DEWALT/POP-Avdel 18V/20V max Li-Ion battery packs.

Inserting and Removing the Battery Pack from the Tool (fig. 3)

NOTE: For best results, make sure your battery pack is fully charged. The tool will shut off without warning when the battery is fully discharged.

TO INSTALL THE BATTERY PACK INTO THE HANDLE

- Align the battery pack (K) with the rails inside the tool's handle (fig. 3).
- Slide it into the handle until the battery pack is firmly seated in the tool and ensure that it does not disengage.

TO REMOVE THE BATTERY PACK FROM TO THE HANDLE

- Press battery release button and firmly pull the battery pack out of the tool handle.
- Insert battery pack into the charger as described in the charger section for this manual.

Storage Recommendations

- The best storage place is one that is cool and dry away from direct sunlight and excess heat or cold. For optimum battery performance and life, store battery packs at room temperature when not in use.
- For long storage, it is recommended to store a fully charged battery pack in a cool, dry place out of the charger for optimal results.

NOTE: Battery packs should not be stored completely depleted of charge. The battery pack will need to be recharged before use.

5. Operating Procedure



WARNING: Always observe the safety instructions and applicable regulations.



WARNING: To reduce the risk of serious personal injury, disconnect battery pack before making any adjustments or removing/installing attachments or accessories.



WARNING: To reduce the risk of serious personal injury, ALWAYS use proper hand position.



WARNING: To reduce the risk of serious personal injury, **ALWAYS** hold securely in anticipation of a sudden reaction.

5.1. Proper Hand Position

Proper hand position requires one hand on the main handle (I) fig. 1.

5.2. Tool Operation

Installing a blind rivet (fig. 8)

To install a blind rivet

- Place the blind rivet (Y) in the nose piece (A)
- Position the tool (fig.9)
- Pull and hold the switch (J) until the rivet is fully set in the application (**fig. 10**).
- When the blind rivet (Y) has been set completely, release the switch (J). The tool will return to its initial position automatically. The mandrel is automatically dropped into the mandrel collector (W).

If you release the switch (J) before the end of the setting stroke, the tool will immediately return to its initial position. If the blind rivet (Y) has not been set completely, repeat the previous steps.

Reset function (fig.9)

If the tool does not move to its initial position after releasing the switch or stops during the setting stroke, reset the tool to home by quickly pulling and releasing the switch (J). If this does not resolve the issue, remove the battery, re-insert and then repeat the prior step.

If the issue persists, contact your local service representative.

Emptying the mandrel collector (W) (fig. 6)

The mandrel collector is used to collect the waste mandrels. The mandrel collector must be emptied depending on the size of the blind rivets used.

Nom. Rivet Dia.	Approx. Capacity (PB3400)
4.8 mm [3/16"]	190
6.4 mm [1/4"]	100

- Tilt the tool back to allow all waste mandrels to fall into the mandrel collector.
- Open the mandrel collector (W) by sliding the Collector Lock (D) towards the nose housing nut (C) and raise the cover (E).
- Empty the waste mandrels into an appropriate recycling container or waste bin
- To close the mandrel collector (W), lower the cover (E) until the Collector Lock (D) clicks into place.

Optional Quick-Release mandrel collector (E2) (fig. 6a)

When using the optional **Quick-Release** mandrel collector accessory with the PB Series tools, the mandrel collector can be removed as follows:

- Tilt the tool back to allow all waste mandrels to fall into the mandrel collector (E2).
- Grab mandrel collector (E2) with one hand and disengage Collector Lock (D) with index finger.

- Pull the mandrel collector (E2) up and away from the tool, tilting the collector slightly back to prevent mandrels from falling out.
- To replace the collector, slide it back into the tool with the opening facing the front of the tool.
- Push the collector down until you hear the Collector Lock (D) click into place.

6. Servicing the tool

6.1. Maintenance frequency

Item	Frequency
General Tool Inspection	Daily
Clean & lubricate Nose Equipment	5,000 rivets
Clean & grease Ball Screw and Thrust Bearing	50,000 rivets*
*Recommend contacting authorized service centre	

6.2. Cleaning





ALWAYS wear approved eye protection at all times when cleaning equipment

Tool Exterior

Keep the brushless motor exhaust vent openings (H) free from dust and dirt. If necessary, use a soft, moist cloth to remove dust and dirt from the exhaust vents.

Blow dirt and dust out of the main power tool housing with dry air as often as dirt is seen collecting in and around the exhaust vents (H).

 **WARNING:** Wear approved eye protection and approved dust mask when performing this procedure.

 **WARNING:** Never use solvents or other harsh chemicals for cleaning the non-metallic parts of the tool. These chemicals may weaken the materials used in these parts. Use a cloth dampened only with water and mild soap. Never let any liquid get inside the tool; never immerse any part of the tool into a liquid.

Cleaning the Nose Equipment (fig. 4 & 5)

- Loosen the nose housing nut (C). Remove the nose housing (B).
- Press the front clutch (U) and loosen the jaw guide (P). Release the front clutch (U).
- Remove the jaws (Q) and the jaw pusher (R).
- Remove the spring (S)
- Clean the inside of the nose housing (B) using a dry cloth.
- Clean the jaws (Q) and the jaw pusher (R) using a dry cloth. If necessary, replace the jaws (Q) and the jaw pusher (R).
- Clean the pulling head (T) using a dry cloth.
- Apply grease to the inside of the jaw guide (P) where the jaws (Q) make contact. A Molybdenum Disulphide based grease is recommended.

- Mount the spring (S)
- Mount the jaw pusher(R) and the jaws (Q)
- Press front clutch (U) and tighten the jaw guide (P). Release front clutch (U).
- Mount the nose housing (B). Tighten the nose housing nut (C).
- Perform tool reset function to ensure the tool is at the initial home position as described in section 5.2

Charger Cleaning Instructions



WARNING: Shock hazard. Disconnect the charger from the AC outlet before cleaning.

Dirt and grease may be removed from the exterior of the charger using a cloth or soft non-metallic brush. **DO NOT** use water or any cleaning solutions.

6.3. Spare Parts – Tools

For spare parts we refer you to the specific service manuals which you can find on our website at <http://www.stanleyengineeredfastening.com/resource-center/document-library>

6.4. Rechargeable Battery Pack

This long life battery pack must be recharged when it fails to produce sufficient power on jobs which were easily done before. At the end of its technical life, discard it with due care for our environment:

- Run the battery pack down completely, then remove it from the tool.
- Li-Ion cells are recyclable. Take them to your dealer or a local recycling station. The collected battery packs will be recycled or disposed of properly.

6.5. Protecting the Environment

Separate collection. This product must not be disposed of with normal household waste.



Should you find one day that your POP-Avdel® product needs replacement, or if it is of no further use to you, do not dispose of it with household waste. Make this product available for separate collection.

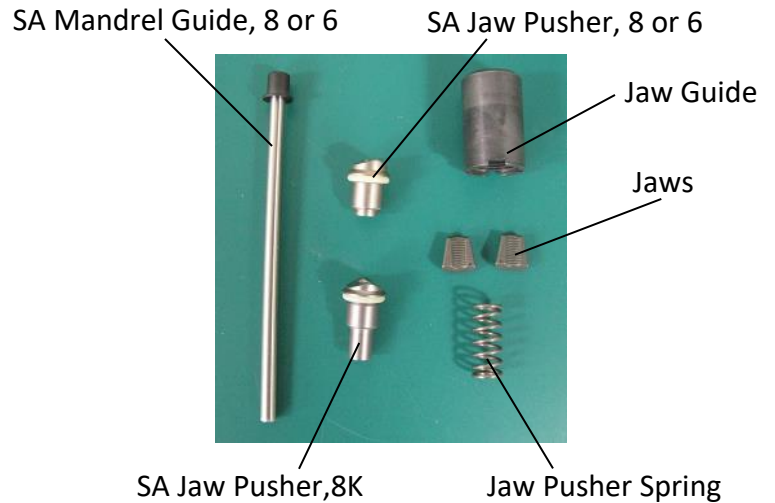
Separate collection of used products and packaging allows materials to be recycled and used again. Re-use of recycled materials helps prevent environmental pollution and reduces the demand for raw materials.

Local regulations may provide for separate collection of electrical products from the household, at municipal waste sites or by the retailer when you purchase a new product.

You can check the location of your nearest authorised repair agent by contacting your local POP-Avdel® office at the address indicated in this manual. Alternatively, a list of authorised POP-Avdel® repair agents and full details of our after-sales service and contacts are available on the Internet at:

www.StanleyEngineeredFastening.com

7. Jaws, Jaw Guide, Jaw Pusher and Jaw Pusher Spring

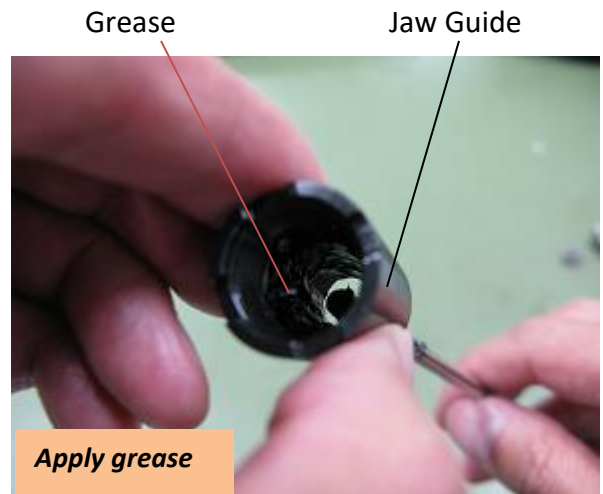


BOM for Jaws, Jaw Guide, SA Jaw pusher and Jaw Pusher Spring

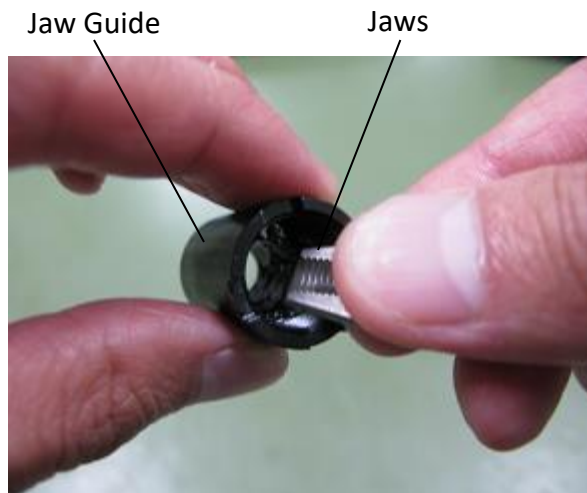
JAWS	PRG540-44	1SET	
JAW GUIDE	DPN276-001	1	
SA JAW PUSHER, 8	TRM00502	1	"8"
SA JAW PUSHER, 8K	TP144-655	1	"8K" OPTION
SA JAW PUSHER, 6	TRM00542	1	"6" OPTION
JAW PUSHER SPRING	TP144-600	1	
SA MANDREL GUIDE	TRM00393	1	"8"
SA MANDREL GUIDE	TRM00543	1	"6" OPTION

Apply grease to the inside of the Jaw Guide.

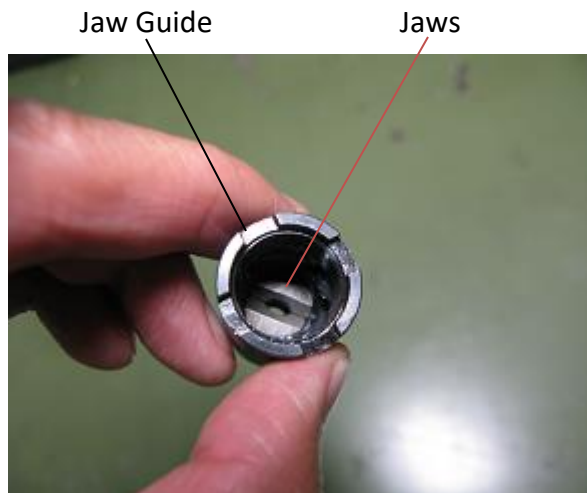
Grease recommended:
Molybdenum disulfide grease



Put the Jaws into the Jaw Guide (as shown) so that the teeth are on the inside.



After inserting the Jaws, check that they are set correctly.



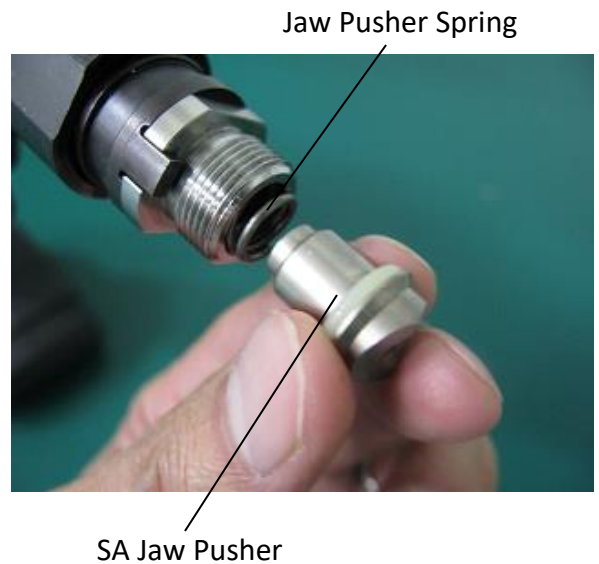
Insert the Mandrel Guide into the Pulling Head.



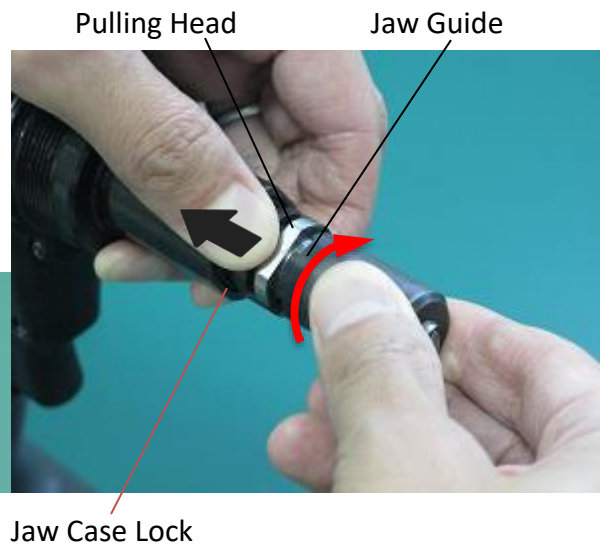
Insert the Jaw Pusher Spring into the Pulling Head.



Put the SA Jaw Pusher on the Jaw Pusher Spring and hold in not to fall.



Tighten the Jaw Guide, with Jaws, to the Pulling Head, with pulling Jaw Case Lock, by hand until it stops.



Turn back a little until the rotation is locked by the boss of the Jaw Case Lock.



Jaw Case Lock

Set a battery on to the tool to check the operation.

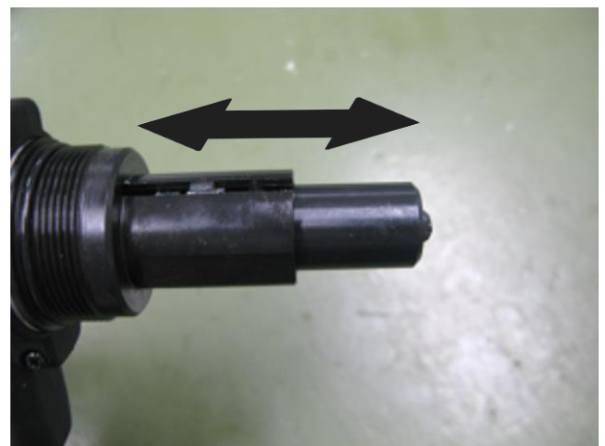


Battery

Check the tool operates correctly by pulling and releasing the trigger.

Check for:

- Pulling operation
- Return operation
- Reset operation
- Full stroke → Stroke end clutch operation →
Return to home position → Front end clutch operation



Remove the battery after checking.



Memo

8. SA Nose Housing and SA Nose Piece



BOM for SA Nose Housing and SA Nosepiece

SA NOSE HOUSING	TP143-594 (02780)	1	
SA NOSE HOUSING	TP143-643 (02779)	1	
SA NOSEPIECE	See Placing Chart	1	A type
SA NOSEPIECE	See Placing Chart	1	B type

Special tool for Assembling

SCREW WRENCH	TP144-682	1	Accessory
--------------	-----------	---	-----------

Screw Wrench



Insert the SA Nosepiece A type on to the SA Nose Housing (TP143-594) and screw on by hand.

SA Nose Housing (TP143-594) SA Nosepiece A type

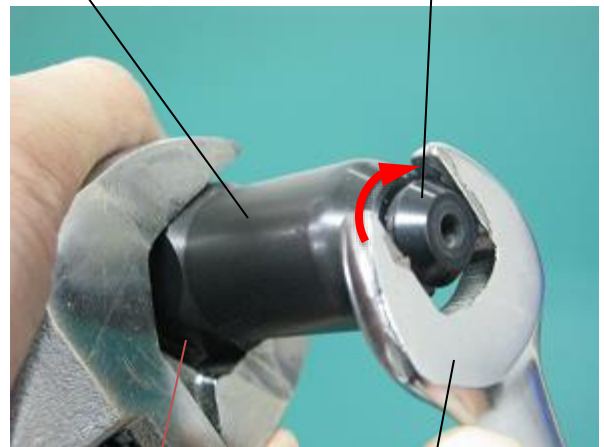


HANSON RIVET®
 & SUPPLY CO.
 Phone: 800-777-4838
www.hansonrivet.com

Tighten up the SA Nosepiece A type securely with spanners (see adjacent picture)

Width across flats: 14mm and 23mm

SA Nose Housing (TP143-594) SA Nosepiece A type



Spanner 23mm

Spanner 14mm

Insert the SA Nosepiece B type on to SA the Nose Housing (TP143-643) and screw on by hand.

SA Nose Housing (TP143-643) SA Nosepiece B type



Tighten up the SA Nosepiece B type securely by using the Screw wrench provided in the kit box and another spanner (see adjacent picture).

Width across flats: 27mm and 23mm

SA Nose Housing (TP143-643) SA Nosepiece B type



Spanner 27mm

Spanner 23mm



Apply grease to the inside of Nose Housing Nut (see adjacent picture).



Insert the SA Nose Housing on to the Mast Housing of the tool.



Tightly tighten the SA Nose Housing on to the thread of the Mast Housing by hand.



9. Operation Test and Appearance check

Operation Check

Set 30 rivets of 8 size steel to check:

- The tool does not slip
- Rivet setting is done in one stroke
- There is no protruding mandrels
- There is no abnormal noise
- The next rivet introduced to the front of the tool is inserted smoothly.
- The jaws do not bite
- The waste mandrel is ejected to the Collector
- The collector shutter operates normally (Open → Close)



Appearance check

- Any scratches on the housings
- Loose components and screws
- Any oil spots on the housings
- Peeling of the outer mold (Rubber grip)

Memo

10. Accessories

JP (JAPAN)

Model number	PB3400-JP1831	PB3400-JP1832
BATTERY PACK	DCB183-JP(1PC)	←(2PCS)
CHARGER	DCB115-JP	←
SA NOSEPIECE, 8F	TP143-646	←
SA NOSEPIECE, 8P	TRM00115	←
SA NOSE HOUSING	TP143-643	←
SCREW WRENCH	TP144-682	←
FOAM SPACER	TRM00194(1PC)	←(2PC)
INSTRUCTION MANUAL	PB3400-JP MANUAL	←
BRIEF INSTRUCTION MANUAL	PB3400-JP S-MANUAL	←

NA (NORTH AMERICA)

Model number	PB3400-NA2031	PB3400-NA2032	PB3400-NA2041	PB3400-NA2042
BATTERY PACK	DCB203-NA(1PC)	←(2PCS)	DCB204-NA(1PC)	←(2PC)
CHARGER	DCB115-NA	←	←	←
SA NOSEPIECE, 8M	TP143-652	←	←	←
SCREW WRENCH	TP144-682	←	←	←
FOAM SPACER	TRM00194(1PC)	←(2PC)	NA	NA
INSTRUCTION MANUAL	TRM00203	←	←	←

QW (EUROPEAN STANDARD)

Model number	PB3400-QW1831	PB3400-QW1832	PB3400-QW1821	PB3400-QW1822
BATTERY PACK	DCB183-XJ(1PC)	←(2PCS)	DCB182-XJ(1PC)	←(2PC)
CHARGER	DCB115-QW	←	←	←
SCREW WRENCH	TP144-682	←	←	←
FOAM SPACER	TRM00194(1PC)	←(2PC)	NA	NA
INSTRUCTION MANUAL	TRM00201	←	←	←

QW (EASTERN EUROPE)

Model number	PB3400-QW1831A	PB3400-QW1832A	PB3400-QW1821A	PB3400-QW1822A
BATTERY PACK	DCB183-XJ(1PC)	←(2PCS)	DCB182-XJ(1PC)	←(2PC)
CHARGER	DCB115-QW	←	←	←
SCREW WRENCH	TP144-682	←	←	←
FOAM SPACER	TRM00194(1PC)	←(2PC)	NA	NA
INSTRUCTION MANUAL	TRM00202	←	←	←

GB (GREAT BRITAIN)

Model number	PB3400-GB1831	PB3400-GB1832	PB3400-GB1821	PB3400-GB1822
BATTERY PACK	DCB183-XJ(1PC)	←(2PCS)	DCB182-XJ(1PC)	←(2PC)
CHARGER	DCB115-GB	←	←	←
SCREW WRENCH	TP144-682	←	←	←
FOAM SPACER	TRM00194(1PC)	←(2PC)	NA	NA
INSTRUCTION MANUAL	TRM00201	←	←	←

XE (AUSTRALIA)

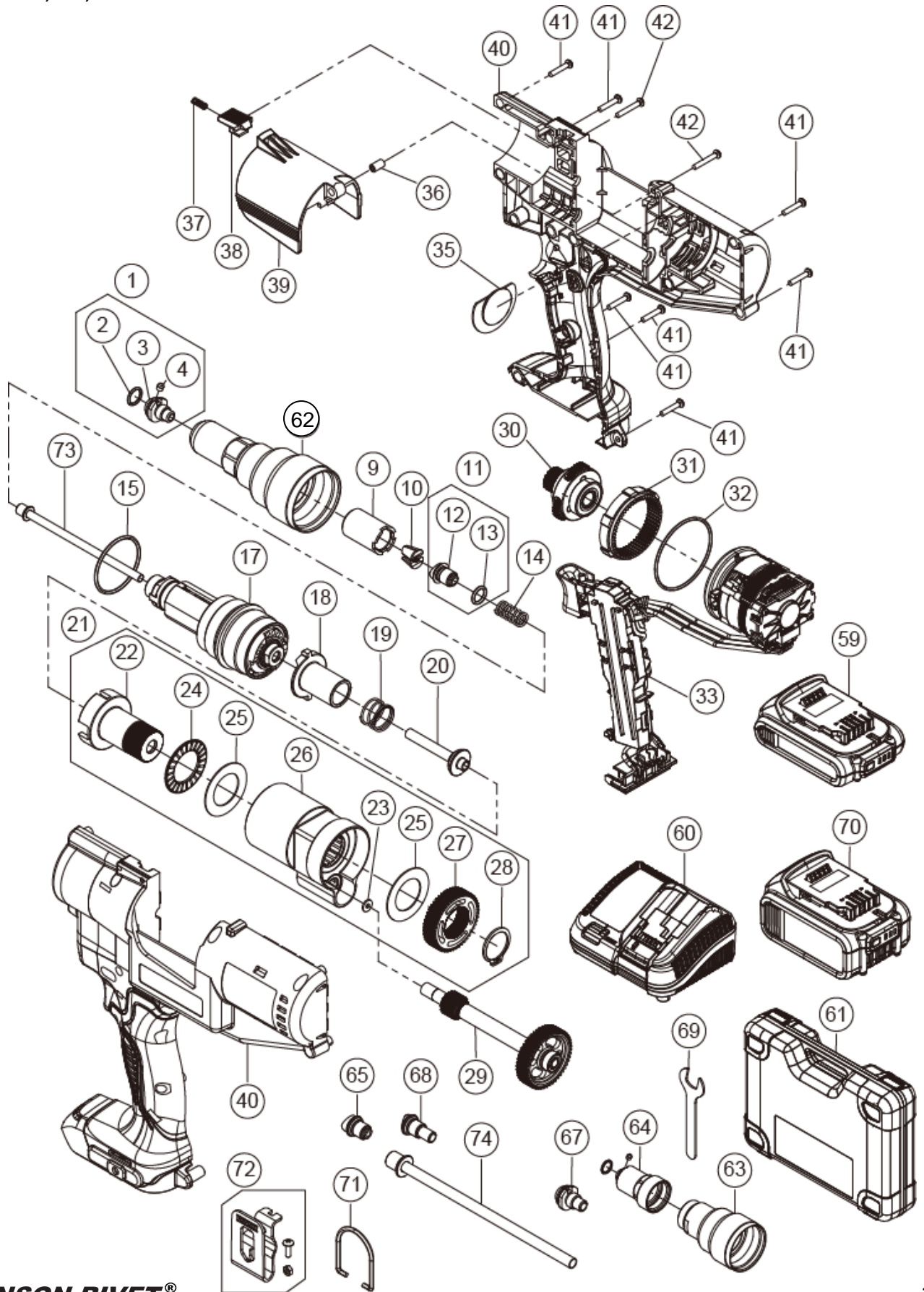
Model number	PB3400-XE1832	PB3400-XE1822
BATTERY PACK	DCB183-XJ(2PC)	DCB182-XJ(2PCS)
CHARGER	DCB115-XE	←
SCREW WRENCH	TP144-682	←
FOAM SPACER	TRM00194(2PC)	NA
INSTRUCTION MANUAL	TRM00204	←

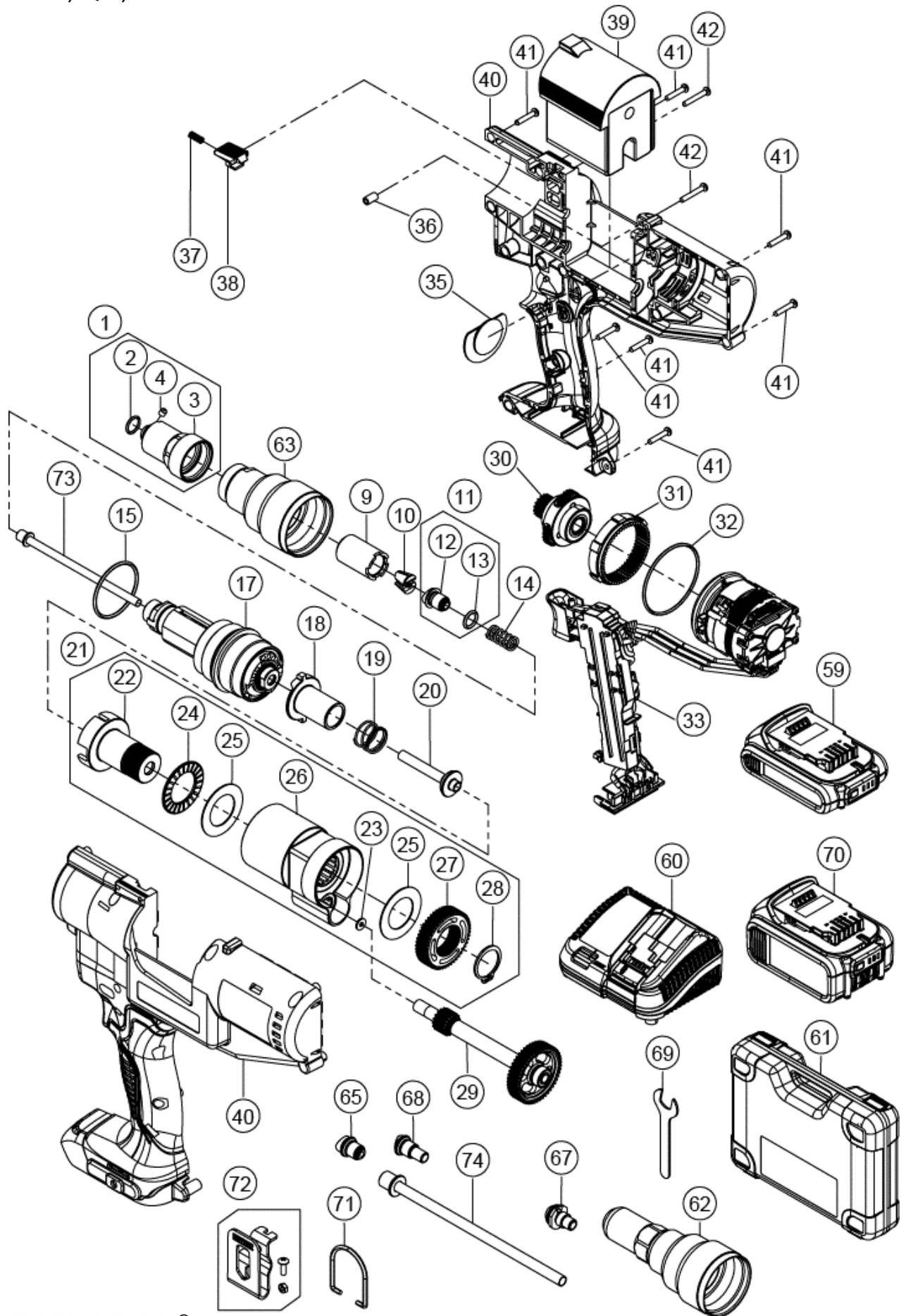
XD (MALAYSIA)

Model number	PB3400-XD1832	PB3400-XD1822
BATTERY PACK	DCB183-XJ(2PC)	DCB182-XJ(2PCS)
CHARGER	DCB115-XD	←
SCREW WRENCH	TP144-682	←
FOAM SPACER	TRM00194(2PC)	NA
INSTRUCTION MANUAL	TRM00204	←

11. Exploded View

PB3400-JP, XE, XD





12. BOM

PB3400-JP

No.	Description		Qty
* 1	TP144-593	SA Nosepiece, 811	1
* 2	DPN900-074	O ring	1
* 3	TP143-642	Nosepiece, 811	1
* 4	TP144-645	Pin	1
* 9	DPN276-001	Jaw Guide	1
* 10	PRG540-44	Jaws	1set
* 11	TRM00502	SA Jaw Pusher, 8	1
* 12	TRM00418	Jaw pusher, 8	1
* 13	TP144-597	O ring	1
* 14	TP144-600	Jaw Pusher Spring	1
* 15	TP144-602	O ring	1
17	TP143-601	Pulling Head Assembly	1
18	TP143-611	Spindle Clutch	1
19	TP144-676	Spindle Clutch Spring	1
* 20	TP144-647	Tail Guid, 6, 8K	1
21	TP143-612	Gear Housing Assembly	1
22	TP143-654	Spindle	1
23	TP144-661	Thrust Washer	1
24	TP144-613	Thrust Roller Bearing	1
25	TP144-614	Thrust Race	1
26	TP143-615	SA Gear Housing	1
27	TP143-618	Spur Gear	1
28	TP144-619	Snap Ring	1
29	TP143-620	SA Second Shaft	1
30	TP143-625	SA Planetary Carrier	1
31	N112877	Ring Gear	1
32	TP124-511	O ring	1
33	TP152-519	SA Motor and Module	1
* 35	TP144-681	Mandrel Plate	1
36	TP114-676	Shutter Guide Sleeve	1
37	TP114-677	Collector Shutter Lock Spring	1
38	TP124-532	Collector Lock	1
* 39	TP143-627	Collector Shutter	1
40	TP142-684	Housing Assembly	1
41	TP124-513	Cross Recessed Pan Head Tapping Screw(3-16)	14
42	TP124-514	Cross Recessed Pan Head Tapping Screw(3-20)	2
62	TP143-594	SA Nose Housing	1
* 73	TRM00393	SA Mandrel guide, 8	1

No.	Description		Qty
Accessories			
* 59	DCB183-JP	Battery Pack 2.0Ah	1 or 2
60	DCB115-JP	Charger	1
61	TP142-633	Kit Box	1
63	TP143-643	SA Nose Housing	1
* 64	TP143-646	SA Nosepiece, 8F	1
* 64	TRM00115	SA Mosepiece, 8P	1
69	TP144-682	Screw Wrench	1
●	TRM00557	Brief Manual (Before use)	1
●	TRM00556	Instruction Manual	1
Option			
* 64	TP143-648	SA Nosepiece, 6F	1
* 64	TP143-650	SA Nosepiece, 6M	1
* 64	TRM00119	SA Nosepiece, 6P	1
* 64	TP143-652	SA Nosepiece, 8M	1
* 64	TP143-665	SA Nosepiece, 8AVXT	1
* 65	TRM00542	Jaw Pusher Assembly, 6	1
* 67	TP124-542	SA Nosepiece, 614	1
* 67	TP124-543	SA Nosepiece, 6K	1
* 67	TP124-546	SA Nosepiece, 624	1
* 67	TP144-657	SA Nosepiece, 8K	1
* 67	TP144-640	SA Nosepiece, 822	1
* 68	TP144-655	SA Jaw Pusher, 8K	1
* 70	DCB182-JP	Battery Pack 4.0Ah	1
71	PNT600-132	Hook	1
72	TP134-500	Belt Hook Kit	1
* 74	TRM00543	SA Mandrel guide, 6	1

*Consumable

**PB3400-JP1831 1pc 2.0Ah Battery

**PB3400-JP1832 2pcs 2.0Ah Battery



HANSON RIVET®
& SUPPLY CO.
 Phone: 800-777-4838
www.hansonrivet.com

PB3400-NA

No.	Description		Qty
* 1	TP143-646	SA Nosepiece, 8F	1
* 2	DPN900-074	O ring	1
* 3	TP143-644	Nosepiece, 8F	1
* 4	TP144-645	Pin	1
* 9	DPN276-001	Jaw Guide	1
* 10	PRG540-44	Jaws	1set
* 11	TRM00502	SA Jaw Pusher, 8	1
* 12	TRM00418	Jaw pusher, 8	1
* 13	TP144-597	O ring	1
* 14	TP144-600	Jaw Pusher Spring	1
* 15	TP144-602	O ring	1
* 17	TP143-601	Pulling Head Assembly	1
* 18	TP143-611	Spindle Clutch	1
* 19	TP144-676	Spindle Clutch Spring	1
* 20	TP144-647	Tail Guid, 6,8K	1
* 21	TP143-612	Gear Housing Assembly	1
* 22	TP143-654	Spindle	1
* 23	TP144-661	Thrust Washer	1
* 24	TP144-613	Thrust Roller Bearing	1
* 25	TP144-614	Thrust Race	1
* 26	TP143-615	SA Gear Housing	1
* 27	TP143-618	Spur Gear	1
* 28	TP144-619	Snap Ring	1
* 29	TP143-620	SA Second Shaft	1
* 30	TP143-625	SA Planetary Carrier	1
* 31	N112877	Ring Gear	1
* 32	TP124-511	O ring	1
* 33	TP152-519	SA Motor and Module	1
* 35	TP144-681	Mandrel Plate	1
* 36	TP114-676	Shutter Guide Sleeve	1
* 37	TP114-677	Collector Shutter Lock Spring	1
* 38	TP124-532	Collector Lock	1
* 39	TRM00368	Collector Bottle Assembly	1
* 40	TRM00158	Housing Assembly	1
* 41	TP124-513	Cross Recessed Pan Head Tapping Screw(3-16)	14
* 42	TP124-514	Cross Recessed Pan Head Tapping Screw(3-20)	2
* 63	TP143-643	SA Nose Housing	1
* 73	TRM00393	SA Mandrel guide, 8	1

No.	Description		Qty
Accessories			
** 59	DCB203-NA	Battery Pack 2.0Ah	1 or 2
* 60	DCB115-NA	Charger	1
* 61	TRM00140	SA Kit Box	1
* 1	TP143-652	SA Nosepiece, 8M	1
* 69	TP144-682	Screw Wrench	1
** 70	DCB204-NA	Battery Pack 4.0Ah	1 or 2
** ●	TRM00203	Instruction Manual	1
Option			
* 67	TP144-593	SA Nosepiece, 811	1
* 62	TP143-594	SA Nose Housing	1
* 1	TP143-648	SA Nosepiece, 6F	1
* 1	TP143-650	SA Nosepiece, 6M	1
* 1	TRM00119	SA Nosepiece, 6P	1
* 1	TRM00115	SA Nosepiece, 8P	1
* 1	TP143-665	SA Nosepiece, 8AVXT	1
* 65	TRM00542	Jaw Pusher Assembly, 6	1
* 67	TP124-542	SA Nosepiece, 614	1
* 67	TP124-543	SA Nosepiece, 6K	1
* 67	TP124-546	SA Nosepiece, 624	1
* 67	TP144-657	SA Nosepiece, 8K	1
* 67	TP144-640	SA Nosepiece, 822	1
* 68	TP144-655	SA Jaw Pusher, 8K	1
* 71	PNT600-132	Hook	1
* 72	TP134-500	Belt Hook Kit	1
* 74	TRM00543	SA Mandrel guide, 6	1

*Consumable

**PB3400-NA2031 1pc 2.0Ah Battery

**PB3400-NA2032 2pcs 2.0Ah Battery

**PB3400-NA2041 1pc 4.0Ah Battery

**PB3400-NA2042 2pcs 4.0Ah Battery



HANSON RIVET®
& SUPPLY CO.
 Phone: 800-777-4838
www.hansonrivet.com

PB3400-QW

No.	Description		Qty	
* 1	TP143-646	SA Nosepiece, 8F	1	
* 2	DPN900-074	O ring	1	
* 3	TP143-644	Nosepiece, 8F	1	
* 4	TP144-645	Pin	1	
* 9	DPN276-001	Jaw Guide	1	
* 10	PRG540-44	Jaws	1set	
* 11	TRM00502	SA Jaw Pusher, 8	1	
* 12	TRM00418	Jaw pusher, 8	1	
* 13	TP144-597	O ring	1	
* 14	TP144-600	Jaw Pusher Spring	1	
* 15	TP144-602	O ring	1	
* 17	TP143-601	Pulling Head Assembly	1	
* 18	TP143-611	Spindle Clutch	1	
* 19	TP144-676	Spindle Clutch Spring	1	
* 20	TP144-647	Tail Guid, 6,8K	1	
* 21	TP143-612	Gear Housing Assembly	1	
	22	TP143-654	Spindle	1
	23	TP144-661	Thrust Washer	1
	24	TP144-613	Thrust Roller Bearing	1
	25	TP144-614	Thrust Race	1
	26	TP143-615	SA Gear Housing	1
	27	TP143-618	Spur Gear	1
	28	TP144-619	Snap Ring	1
	29	TP143-620	SA Second Shaft	1
	30	TP143-625	SA Planetary Carrier	1
	31	N112877	Ring Gear	1
	32	TP124-511	O ring	1
	33	TP152-519	SA Motor and Module	1
* 35	TP144-681	Mandrel Plate	1	
	36	TP114-676	Shutter Guide Sleeve	1
	37	TP114-677	Collector Shutter Lock Spring	1
	38	TP124-532	Collector Lock	1
* 39	TRM00368	Collector Bottle Assembly	1	
	40	TRM00159	Housing Assembly	1
	41	TP124-513	Cross Recessed Pan Head Tapping Screw(3-16)	14
	42	TP124-514	Cross Recessed Pan Head Tapping Screw(3-20)	2
	63	TP143-643	SA Nose Housing	1
* 73	TRM00393	SA Mandrel guide, 8	1	

No.	Description		Qty
Accessories			
** 59	DCB183-XJ	Battery Pack 2.0Ah	1 or 2
60	DCB115-QW	Charger	1
61	TRM00141	SA Kit Box	1
68	TP144-655	SA Jaw pusher, 8K	1
69	TP144-682	Screw Wrench	1
** 70	DCB182-XJ	Battery Pack 4.0Ah	1 or 2
*** ●	TRM00201 OR TRM00202	Instruction Manual	1
Option			
* 67	TP144-593	SA Nosepiece, 811	1
62	TP143-594	SA Nose Housing	1
* 1	TP143-648	SA Nosepiece, 6F	1
	TP143-650	SA Nosepiece, 6M	1
	TRM00119	SA Nosepiece, 6P	1
	TP143-652	SA Nosepiece, 8M	1
	TRM00115	SA Nosepiece, 8P	1
* 65	TP143-665	SA Nosepiece, 8AVXT	1
* 67	TRM00542	Jaw Pusher Assembly, 6	1
* 67	TP124-542	SA Nosepiece, 614	1
	TP124-543	SA Nosepiece, 6K	1
	TP124-546	SA Nosepiece, 624	1
	TP144-657	SA Nosepiece, 8K	1
	TP144-640	SA Nosepiece, 822	1
71	PNT600-132	Hook	1
72	TP134-500	Belt Hook Kit	1
* 74	TRM00543	SA Mandrel guide, 6	1

***Consumable**

- **PB3400-QW1831 1pc 2.0Ah Battery
- **PB3400-QW1832 2pcs 2.0Ah Battery
- **PB3400-QW1821 1pc 4.0Ah Battery
- **PB3400-QW1822 2pcs 4.0Ah Battery
- **PB3400-QW1831A 1pc 2.0Ah Battery
- **PB3400-QW1832A 2pcs 2.0Ah Battery
- **PB3400-QW1821A 1pc 4.0Ah Battery
- **PB3400-QW1822A 2pcs 4.0Ah Battery
- ***TRM00201 for EU Standard, TRM00202 for Eastern Europe

PB3400-GB

No.	Description		Qty
* 1	TP143-646	SA Nosepiece, 8F	1
* 2	DPN900-074	O ring	1
* 3	TP143-644	Nosepiece, 8F	1
* 4	TP144-645	Pin	1
* 9	DPN276-001	Jaw Guide	1
* 10	PRG540-44	Jaws	1set
* 11	TRM00502	SA Jaw Pusher, 8	1
* 12	TRM00418	Jaw pusher, 8	1
* 13	TP144-597	O ring	1
* 14	TP144-600	Jaw Pusher Spring	1
* 15	TP144-602	O ring	1
* 17	TP143-601	Pulling Head Assembly	1
* 18	TP143-611	Spindle Clutch	1
* 19	TP144-676	Spindle Clutch Spring	1
* 20	TP144-647	Tail Guid, 6,8K	1
* 21	TP143-612	Gear Housing Assembly	1
* 22	TP143-654	Spindle	1
* 23	TP144-661	Thrust Washer	1
* 24	TP144-613	Thrust Roller Bearing	1
* 25	TP144-614	Thrust Race	1
* 26	TP143-615	SA Gear Housing	1
* 27	TP143-618	Spur Gear	1
* 28	TP144-619	Snap Ring	1
* 29	TP143-620	SA Second Shaft	1
* 30	TP143-625	SA Planetary Carrier	1
* 31	N112877	Ring Gear	1
* 32	TP124-511	O ring	1
* 33	TP152-519	SA Motor and Module	1
* 35	TP144-681	Mandrel Plate	1
* 36	TP114-676	Shutter Guide Sleeve	1
* 37	TP114-677	Collector Shutter Lock Spring	1
* 38	TP124-532	Collector Lock	1
* 39	TRM00368	Collector Bottle Assembly	1
* 40	TRM00159	Housing Assembly	1
* 41	TP124-513	Cross Recessed Pan Head Tapping Screw(3-16)	14
* 42	TP124-514	Cross Recessed Pan Head Tapping Screw(3-20)	2
* 63	TP143-643	SA Nose Housing	1
* 73	TRM00393	SA Mandrel guide, 8	1

No.	Description		Qty
Accessories			
** 59	DCB183-XJ	Battery Pack 2.0Ah	1 or 2
* 60	DCB115-GB	Charger	1
* 61	TRM00142	SA Kit Box	1
* 68	TP144-655	SA Jaw pusher, 8K	1
* 69	TP144-682	Screw Wrench	1
** 70	DCB182-XJ	Battery Pack 4.0Ah	1 or 2
* ●	TRM00201	Instruction Manual	1
Option			
* 67	TP144-593	SA Nosepiece, 811	1
* 62	TP143-594	SA Nose Housing	1
* 1	TP143-648	SA Nosepiece, 6F	1
* 1	TP143-650	SA Nosepiece, 6M	1
* 1	TRM00119	SA Nosepiece, 6P	1
* 1	TP143-652	SA Nosepiece, 8M	1
* 1	TRM00115	SA Nosepiece, 8P	1
* 1	TP143-665	SA Nosepiece, 8AVXT	1
* 65	TRM00542	Jaw Pusher Assembly, 6	1
* 67	TP124-542	SA Nosepiece, 614	1
* 67	TP124-543	SA Nosepiece, 6K	1
* 67	TP124-546	SA Nosepiece, 624	1
* 67	TP144-657	SA Nosepiece, 8K	1
* 67	TP144-640	SA Nosepiece, 822	1
* 71	PNT600-132	Hook	1
* 72	TP134-500	Belt Hook Kit	1
* 74	TRM00543	SA Mandrel guide, 6	1

*Consumable

**PB3400-GB1831 1pc 2.0Ah Battery

**PB3400-GB1832 2pcs 2.0Ah Battery

**PB3400-GB1821 1pc 4.0Ah Battery

**PB3400-GB1822 2pcs 4.0Ah Battery

PB3400-XE

No.	Description		Qty
* 9	DPN276-001	Jaw Guide	1
* 10	PRG540-44	Jaws	1set
* 11	TRM00502	SA Jaw Pusher, 8	1
* 12	TRM00418	Jaw pusher, 8	1
* 13	TP144-597	O ring	1
* 14	TP144-600	Jaw Pusher Spring	1
* 15	TP144-602	O ring	1
* 17	TP143-601	Pulling Head Assembly	1
* 18	TP143-611	Spindle Clutch	1
* 19	TP144-676	Spindle Clutch Spring	1
* 20	TP144-647	Tail Guid, 6, 8K	1
* 21	TP143-612	Gear Housing Assembly	1
* 22	TP143-654	Spindle	1
* 23	TP144-661	Thrust Washer	1
* 24	TP144-613	Thrust Roller Bearing	1
* 25	TP144-614	Thrust Race	1
* 26	TP143-615	SA Gear Housing	1
* 27	TP143-618	Spur Gear	1
* 28	TP144-619	Snap Ring	1
* 29	TP143-620	SA Second Shaft	1
* 30	TP143-625	SA Planetary Carrier	1
* 31	N112877	Ring Gear	1
* 32	TP124-511	O ring	1
* 33	TP152-519	SA Motor and Module	1
* 35	TP144-681	Mandrel Plate	1
* 36	TP114-676	Shutter Guide Sleeve	1
* 37	TP114-677	Collector Shutter Lock Spring	1
* 38	TP124-532	Collector Lock	1
* 39	TP143-627	Collector Shutter	1
* 40	TRM00160	Housing Assembly	1
* 41	TP124-513	Cross Recessed Pan Head Tapping Screw(3-16)	14
* 42	TP124-514	Cross Recessed Pan Head Tapping Screw(3-20)	2
* 63	TP143-643	SA Nose Housing	1
* 64	TP143-646	SA Nosepiece, 8F	1
* 2	DPN900-074	O ring	1
* -	TP143-644	Nosepiece, 8F	1
* 4	TP144-645	Pin	1
* 73	TRM00393	SA Mandrel guide, 8	1

No.	Description		Qty
Accessories			
** 59	DCB183-XJ	Battery Pack 2.0Ah	0 or 2
** 60	DCB115-XE	Charger	1
* 61	TRM00143	SA Kit Box	1
* 69	TP144-682	Screw Wrench	1
** 70	DCB182-XJ	Battery Pack 4.0Ah	0 or 2
* ●	TRM00204	Instruction Manual	1
Option			
* 1	TP144-593	SA Nosepiece, 811	1
* 62	TP143-594	SA Nose Housing	1
* 64	TP143-648	SA Nosepiece, 6F	1
* 64	TP143-650	SA Nosepiece, 6M	1
* 64	TRM00119	SA Nosepiece, 6P	1
* 64	TP143-652	SA Nosepiece, 8M	1
* 64	TRM00115	SA Nosepiece, 8P	1
* 64	TP143-665	SA Nosepiece, 8AVXT	1
* 65	TRM00542	Jaw Pusher Assembly, 6	1
* 67	TP124-542	SA Nosepiece, 614	1
* 67	TP124-543	SA Nosepiece, 6K	1
* 67	TP124-546	SA Nosepiece, 624	1
* 67	TP144-657	SA Nosepiece, 8K	1
* 67	TP144-640	SA Nosepiece, 822	1
* 68	TP144-655	SA Jaw Pusher, 8K	1
* 71	PNT600-132	Hook	1
* 72	TP134-500	Belt Hook Kit	1
* 74	TRM00543	SA Mandrel guide, 6	1

*Consumable

**PB3400-XE1832 2pcs 2.0Ah Battery

**PB3400-XE1822 2pc 4.0Ah Battery

PB3400-XD

No.	Description		Qty
* 9	DPN276-001	Jaw Guide	1
* 10	PRG540-44	Jaws	1set
* 11	TRM00502	SA Jaw Pusher, 8	1
* 12	TRM00418	Jaw pusher, 8	1
* 13	TP144-597	O ring	1
* 14	TP144-600	Jaw Pusher Spring	1
* 15	TP144-602	O ring	1
* 17	TP143-601	Pulling Head Assembly	1
* 18	TP143-611	Spindle Clutch	1
* 19	TP144-676	Spindle Clutch Spring	1
* 20	TP144-647	Tail Guid, 6, 8K	1
* 21	TP143-612	Gear Housing Assembly	1
* 22	TP143-654	Spindle	1
* 23	TP144-661	Thrust Washer	1
* 24	TP144-613	Thrust Roller Bearing	1
* 25	TP144-614	Thrust Race	1
* 26	TP143-615	SA Gear Housing	1
* 27	TP143-618	Spur Gear	1
* 28	TP144-619	Snap Ring	1
* 29	TP143-620	SA Second Shaft	1
* 30	TP143-625	SA Planetary Carrier	1
* 31	N112877	Ring Gear	1
* 32	TP124-511	O ring	1
* 33	TP152-519	SA Motor and Module	1
* 35	TP144-681	Mandrel Plate	1
* 36	TP114-676	Shutter Guide Sleeve	1
* 37	TP114-677	Collector Shutter Lock Spring	1
* 38	TP124-532	Collector Lock	1
* 39	TP143-627	Collector Shutter	1
* 40	TRM00159	Housing Assembly	1
* 41	TP124-513	Cross Recessed Pan Head Tapping Screw(3-16)	14
* 42	TP124-514	Cross Recessed Pan Head Tapping Screw(3-20)	2
* 63	TP143-643	SA Nose Housing	1
* 64	TP143-646	SA Nosepiece, 8F	1
* 2	DPN900-074	O ring	1
* -	TP143-644	Nosepiece, 8F	1
* 4	TP144-645	Pin	1
* 73	TRM00393	SA Mandrel guide, 8	1

No.	Description		Qty
Accessories			
** 59	DCB183-XJ	Battery Pack 2.0Ah	0 or 2
** 60	DCB115-XD	Charger	1
** 61	TRM00144	SA Kit Box	1
** 69	TP144-682	Screw Wrench	1
** 70	DCB182-XJ	Battery Pack 4.0Ah	0 or 2
** ●	TRM00204	Instruction Manual	1
Option			
* 1	TP144-593	SA Nosepiece, 811	1
* 62	TP143-594	SA Nose Housing	1
* 64	TP143-648	SA Nosepiece, 6F	1
* 64	TP143-650	SA Nosepiece, 6M	1
* 64	TRM00119	SA Nosepiece, 6P	1
* 64	TP143-652	SA Nosepiece, 8M	1
* 64	TRM00115	SA Nosepiece, 8P	1
* 64	TP143-665	SA Nosepiece, 8AVXT	1
* 65	TRM00542	Jaw Pusher Assembly, 6	1
* 67	TP124-542	SA Nosepiece, 614	1
* 67	TP124-543	SA Nosepiece, 6K	1
* 67	TP124-546	SA Nosepiece, 624	1
* 67	TP144-657	SA Nosepiece, 8K	1
* 67	TP144-640	SA Nosepiece, 822	1
* 68	TP144-655	SA Jaw Pusher, 8K	1
* 71	PNT600-132	Hook	1
* 72	TP134-500	Belt Hook Kit	1
* 74	TRM00543	SA Mandrel guide, 6	1

*Consumable

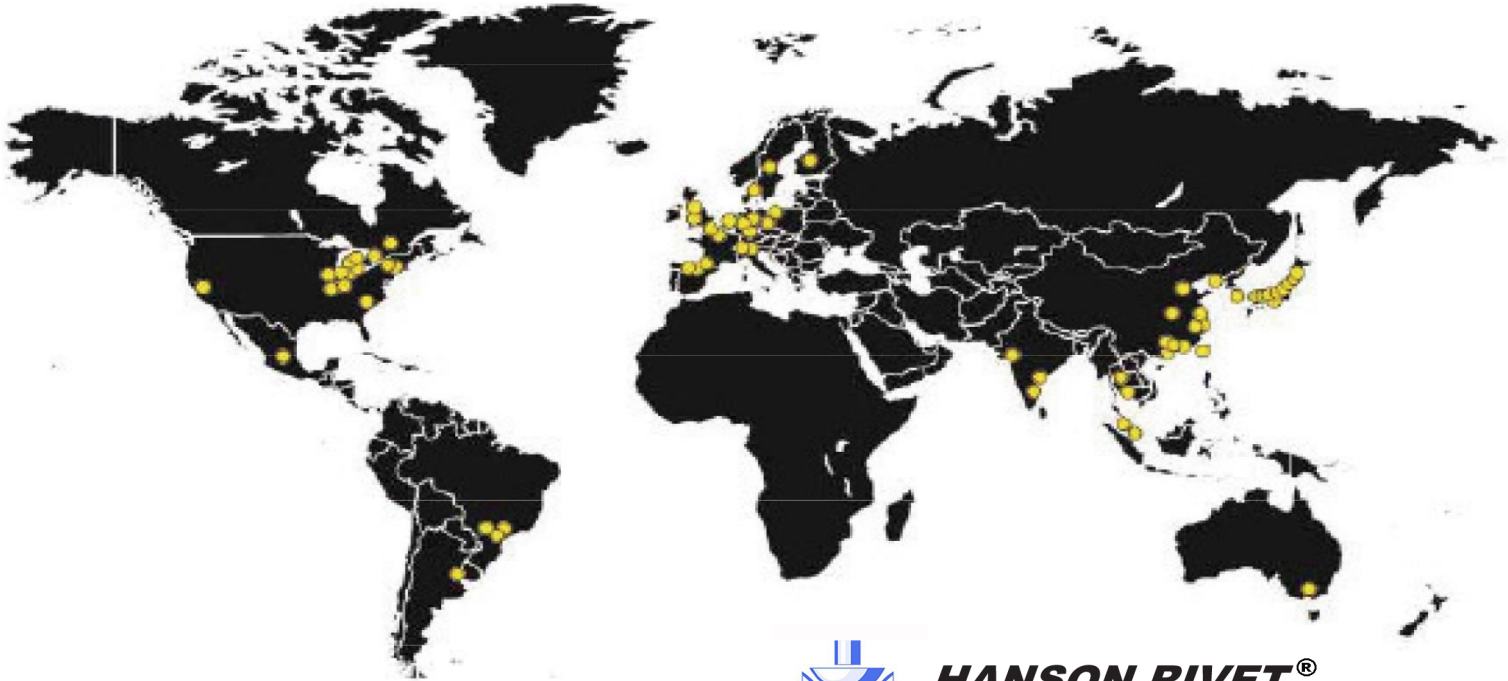
**PB3400-XD1832 2pcs 2.0Ah Battery

**PB3400-XD1822 2pc 4.0Ah Battery

13. Troubleshooting Guide

Symptom	Cause	Remedy
Tool does not operate when switch is pressed.	Battery is defective	Replace battery
	Battery is not fully charged	Charge battery
	Battery is not fully seated	Remove battery and re-insert. Reset tool to home.
	Battery pack has reached operating temperature limit through continuous use or defect.	Remove battery & allow to cool. Mount battery and reset tool to home.
Tool does not return to initial position when switch is released.	Electrical malfunction.	Remove battery, wait 5 seconds and reinsert. Reset tool to home.
	Stuck Spindle Clutch.	Clean Spindle clutch and Spindle to operate smoothly.
Tool stops before rivet is fully set	Battery pack has reached operating temperature limit through continuous use or defect.	Remove battery & allow to cool. Mount battery and reset tool to home.
	Improper nosepiece selection.	Reset tool to home, remove rivet & fit proper nose piece.
	Setting load of rivet is beyond tool capacity.	Reset tool to home, remove rivet & use appropriate tool to set rivet.
Tool fails to operate	Issue with Trigger Module	Replace.
Tool does not return fully	Buildup of debris inside the Nose Equipment.	Service and clean Nose Assembly.
More than one operation of the trigger needed to place rivet	Buildup of debris inside the Nose Equipment.	Service and clean Nose Assembly.
	Worn or broken Jaws.	Fit new Jaws.
	Improper rivet being used for application grip thickness	Review application details and verify fastener requirement
	Jaw Guide or Pulling Head Adapter not seated correctly.	Correctly assemble affected parts
Tool will not grip stem of rivet	Buildup of debris inside the Nose Equipment.	Service and clean Nose Assembly.
	Worn or broken Jaws.	Fit new Jaws.
	Loose Jaw Guide.	Tighten jaw guide against Pulling Head.
	Weak or broken Spring.	Fit new spring.
	Incorrect Nose Piece for rivet.	Refer to Accessories Manual. Select and install correct nose piece
	Incorrect Nose Equipment for rivet.	Refer to Accessories Manual. Select and install correct nose equipment
Jaws will not release broken stem of rivet	Buildup of debris inside the Nose Equipment.	Service and clean Nose Assembly.
	Weak or broken Spring.	Fit new spring.
	Jaw Guide, Nose Piece or Nose Housing not seated correctly.	Correctly assemble affected parts
	Stem retention/removal feature worn out on Nose Piece	Inspect Nose Piece and replace O-ring and ball/pin as required

Cannot insert rivet	Incorrect Nose Piece for rivet.	Refer to Accessories Manual. Select and install correct nose piece
	Broken rivet stems jammed in Nose Equipment.	Service and clean Nose Assembly.
		Refer to Accessories Manual.
		Check Nose Equipment is correct for rivet
	Broken rivet stems jammed in Pulling Head Assembly.	Empty Stem Collector and clear Pulling Head Assembly.
	Debris in Nose Piece.	Service and clean Nose Assembly.
Rivet stem does not break	Battery is low voltage.	Charge battery
	Setting load of rivet is beyond tool capacity.	Reset tool to home, remove rivet & use appropriate tool to set rivet.
	Incorrect Nose Equipment for rivet.	Refer to Accessories Manual. Select and install correct nose equipment
	Nose Equipment and Stem Collector full of stems.	Empty Stem Collector and check Nose Equipment for damage before re-use



HANSON RIVET®
& SUPPLY CO.
Phone: 800-777-4838
www.hansonrivet.com

Holding your world together®

Find your closest STANLEY Engineered Fastening location on [ww.StanleyEngineeredFastening.com/contact](http://www.StanleyEngineeredFastening.com/contact)
For an authorized distributor nearby please check www.StanleyEngineeredFastening.com/econtact/distributors

Manual Number	Issue	C/N
TRM00206	C	1901-1

© 2016 Stanley Black & Decker, Inc.

Avdel®, Avex®, Avibulb®, Avinox®, Avseal®, Bulbex®, DEWALT®, Hemlok®, Interlock®, Klamp-Tite®, Monobolt®, POP®, ProSet®, Stavex® and T-Lok® are registered trademarks of Stanley Black & Decker, Inc. and its affiliates. The names and logos of other companies mentioned herein may be trademarks of their respective owners. Data shown is subject to change without prior notice as a result of continuous product development and improvement policy. Your local STANLEY Engineered Fastening representative is at your disposal should you need to confirm latest information.